

[LH-500N]

Wire Harness Pull Tester



(Force gauges are sold separately)

[Application]

- Measuring of caulking strength of the lead wire of wire harness

[Feature]

- Efficient measuring is possible by lever operation.
- Possible to clamp tightly since wedge grip attachment is adopted.
- Wide terminal clamp attachment

[LH-50 Specifications]

Model	LH-500N
Capacity	500N
Stroke	85mm
Dimension	See below dimension
Weight	Approx.10.5kg
With force gauge	Digital Z series, DPS series Mechanical PS and FB series

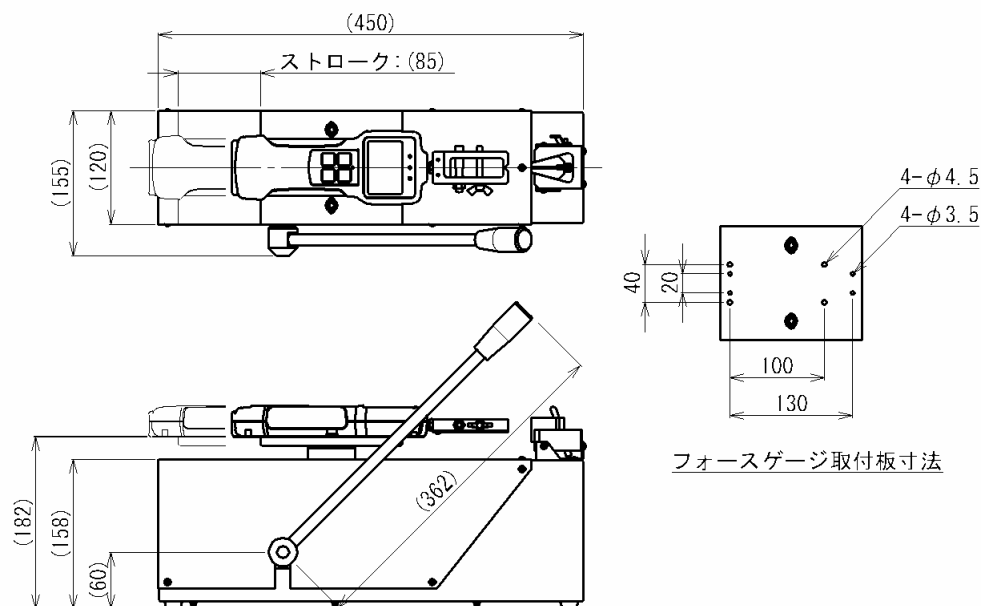
[Wire clamp attachment specification]

Model	CW-500N
Capacity	500N
Clamp principle	Wedge
Opening width	5mm
Dimension	See next page
Weight	Approx.220g

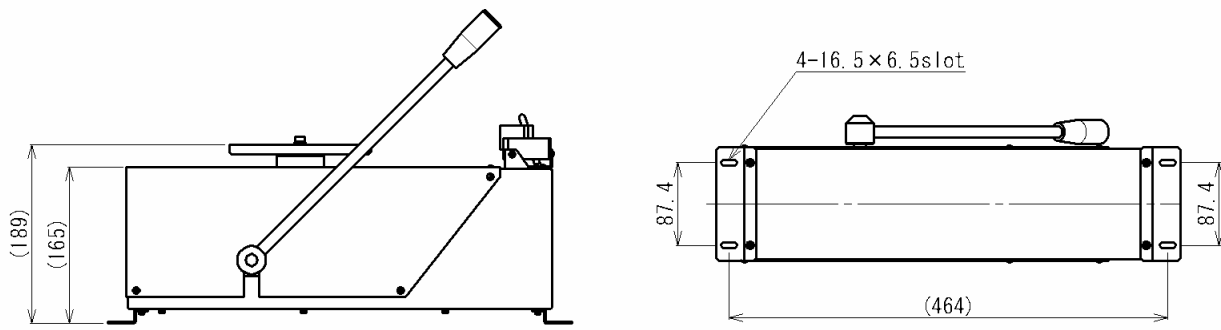
[Terminal clamp attachment specification]

Model	CH-500N
Capacity	500N
Opening width	6mm
Dimension	See next page
Weight	Approx.210g

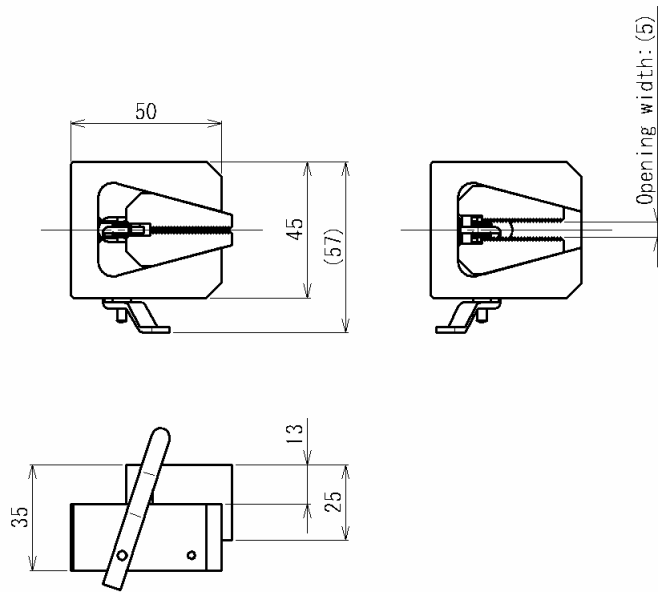
[Dimension LH-500N]



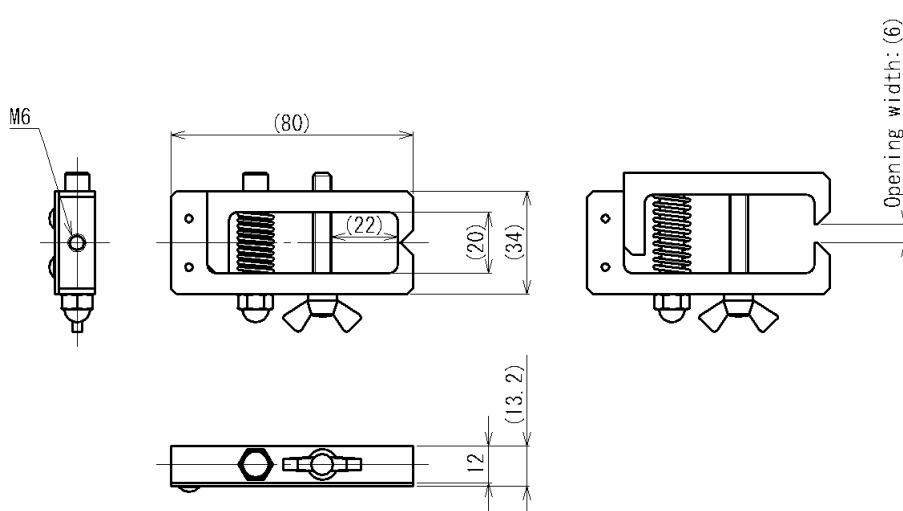
[Fixing span to a table]



[Dimension of wire clamp attachment]



[Dimension of terminal clamp attachment]



[Note]

-Force gauge (sold separately) is required for actual measuring. Please order Imada products.

-All information is subject to change without prior notice.